

ELD M Series

Rear Mounted NEMA Motor Cooler



Description

These coolers are designed with a durable brazed bar and plate type heat exchanger for high efficiency. Included with the cooler package is a shroud with gasket to seal to the motor fan and adjustable mounting feet.

Features

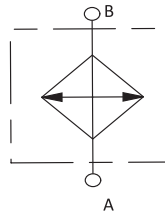
- Coolers to mount on rear of TEFC frame motors
- Power unit case drain coolers
- 3 sizes
- Utilizes ELD standard cores and shrouds.
- Air filter available upon request

Applications



Industrial

Hydraulic Symbol



Specifications

Size	TEFC Motor Frame Size	Part Number
ELD1.5M	48-184	2595792
ELD2M	213-256	2595793
ELD3M	254-365	2595794

Model Code

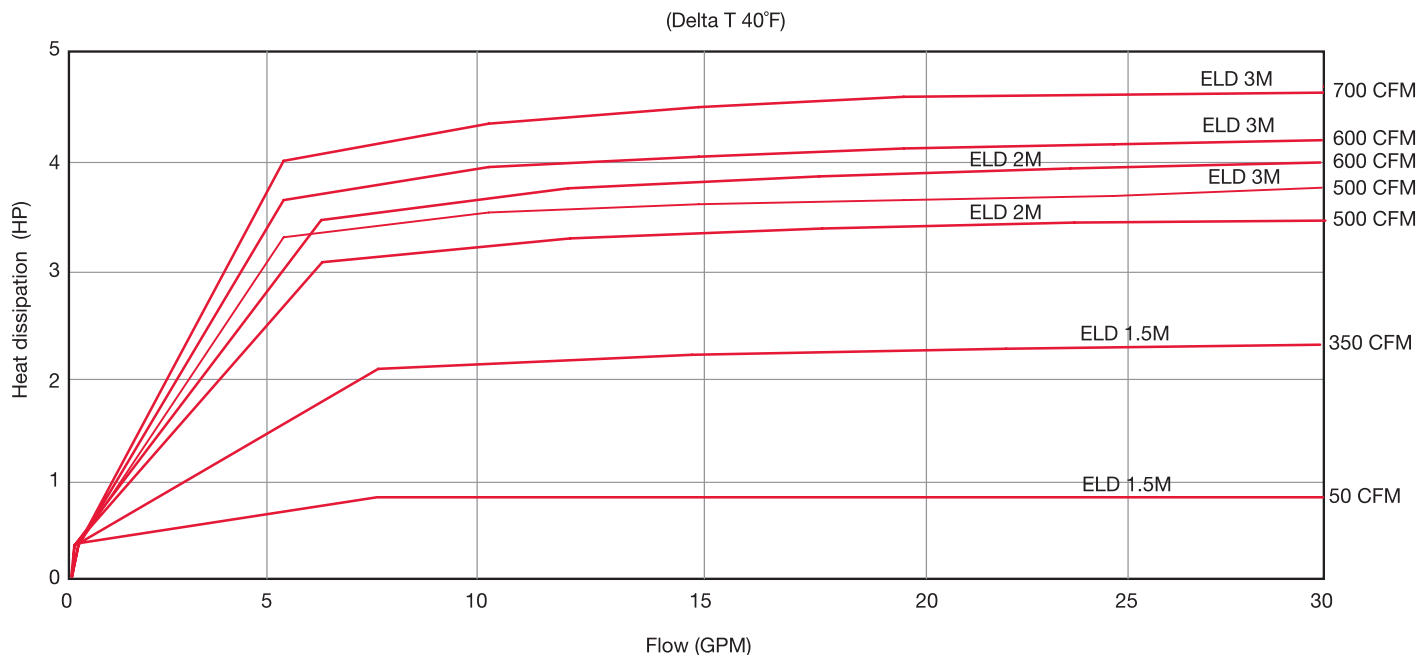
Model _____ ELD = Air Cooled Oil Cooler

Size
1.5M
2M
3M

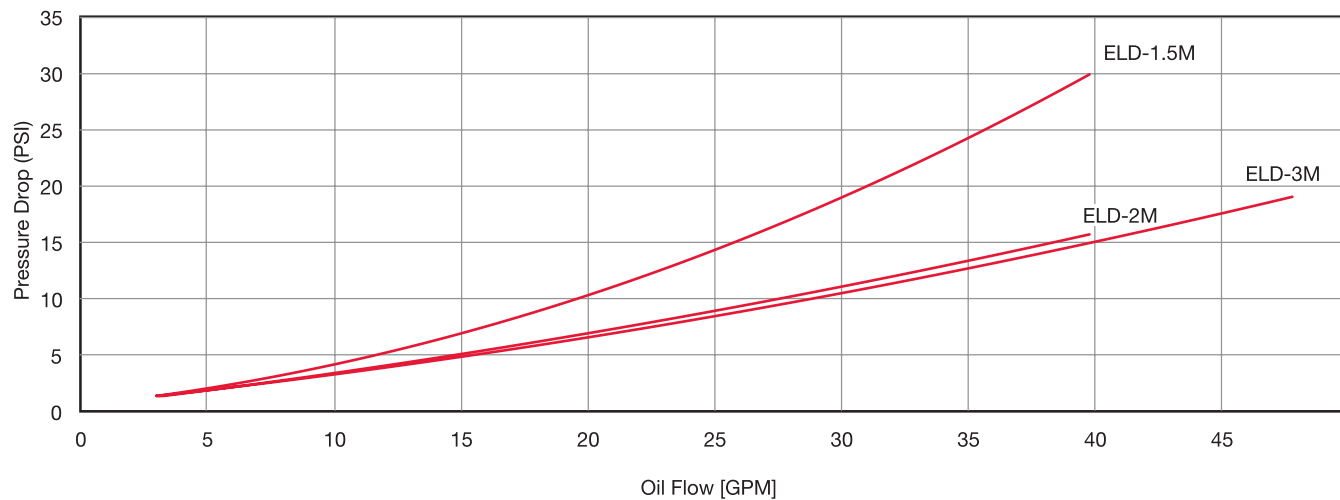
Modification Number (latest version always supplied) _____

ELD 1.5M 1.5

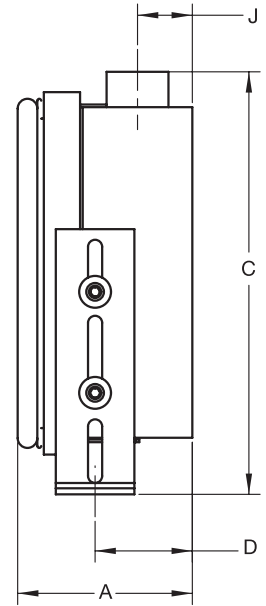
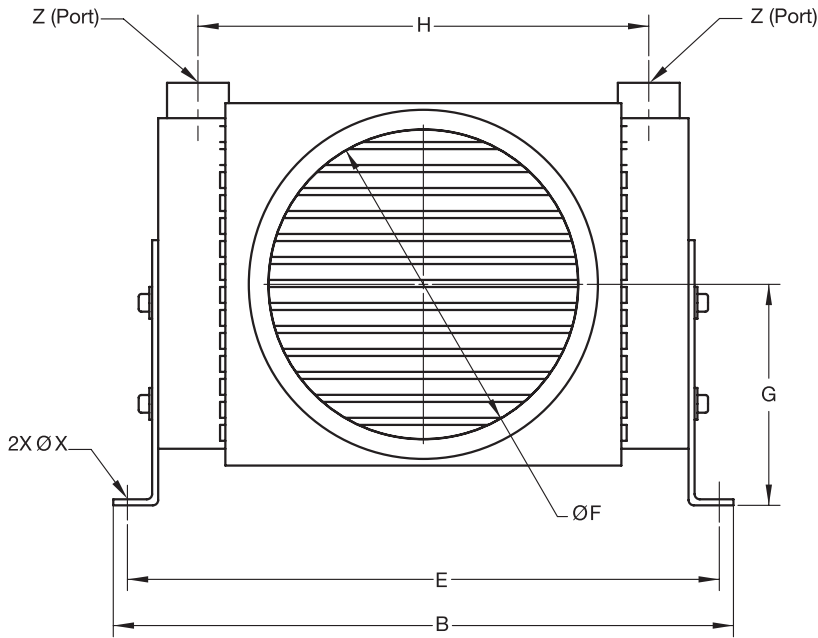
Cooling Capabilities
 Sizes ELD 1.5M, 2M, 3M
 Heat Dissipation @ $\Delta T=40^{\circ}\text{F}$
 (tolerance: $\pm 5\%$)



Pressure Drop @ 30 cSt
 (tolerance: $\pm 5\%$)

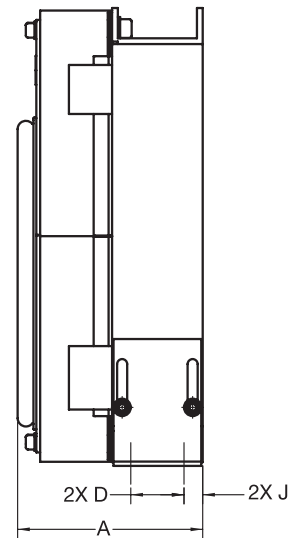
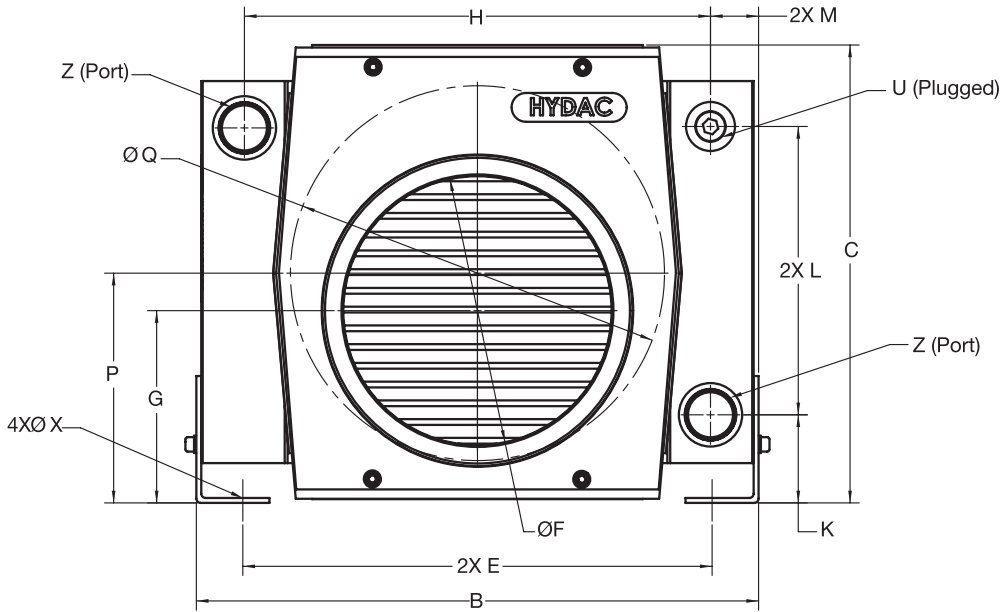


Dimensional Detail
Size 1.5



A	B	C	D	E	F	G	H	J	X	Z
3.90	13.81	9.41 - 10.43	2.17	13.18	6.89	4.92 - 5.94	10.04	1.22	0.35	1-1/16"-12 (F)

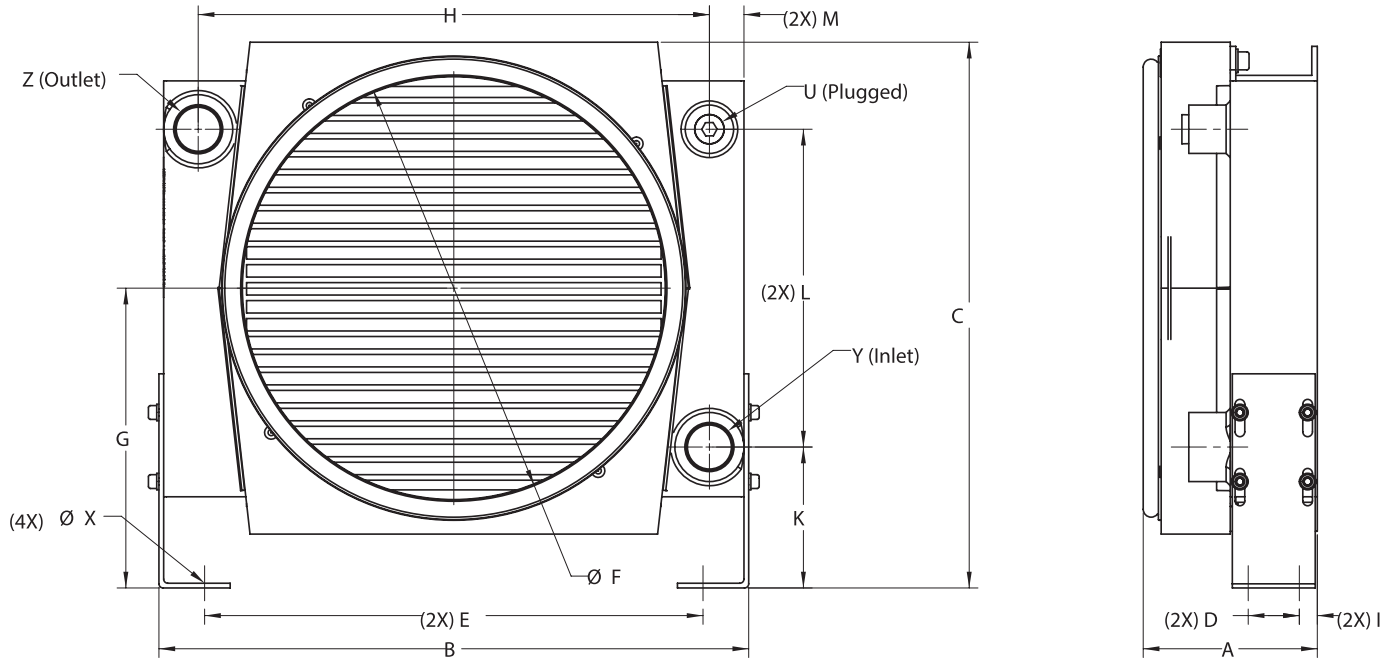
Dimensional Detail
Size ELD 2M



A	B	C	D	E	F	G	H	J	K	L	M	P	Q	U	X	Y	Z
5.07	15.39	12.50 - 13.68	1.46	12.84	7.34	5.25 - 6.43	12.76	0.51	2.41 - 3.59	7.87	1.32	6.27 - 7.45	10.24	1/2" NPT	Ø.35x.55 slot	1-5/16"-12 (F)	1-5/16"-12 (F)

Dimensions are for general information only, all critical dimensions should be verified by requesting a certified print.
Dimensions are in inches.

Dimensional Detail
Size ELD 3M



A	B	C	D	E	F	G	H	I	K	L	M	U	X	Y	Z
5.07	16.80	15.55 - 16.34	1.46	14.20	12.05	8.54 - 9.33	14.57	0.51	4.02 - 4.80	9.06	0.98	1/2" NPT	Ø.35x.55 slot	1-5/16"-12 (F)	1-5/16"-12 (F)

Dimensions are for general information only, all critical dimensions should be verified by requesting a certified print.
Dimensions are in inches.